

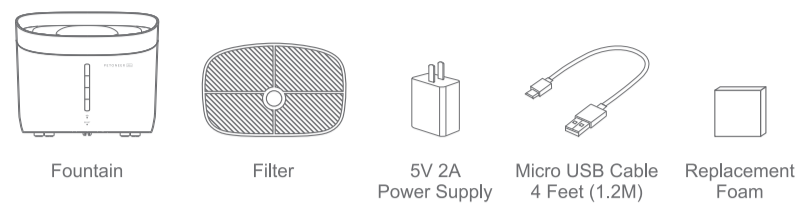
Fresco Smart Fountain Ultra User Manual

宠物饮水机(杀菌版) 使用说明书

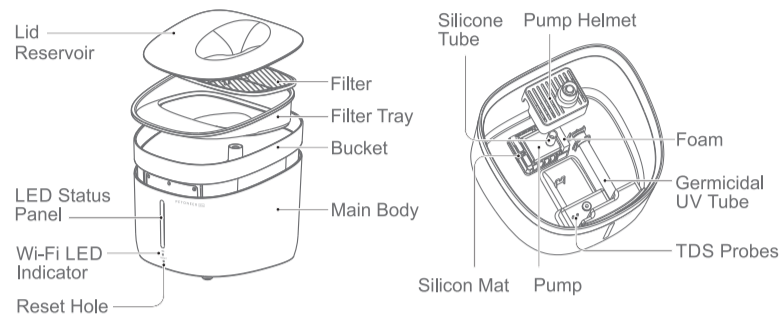
Model / 型号: WF002

Please read this manual carefully before using.
Keep the manual in a safe place for future reference.
使用前请仔细阅读本使用说明书,并妥善保管

Inside the box



Meet your Fresco Ultra



How sterilization works:

The UVC ultraviolet light emitted by the tube at the bottom of the fountain can destroy the DNA structure of microorganisms such as bacteria, causing the bacteria to die. It works for 3 minutes every interval. The lighting lasts for 3 minutes every interval killing up to 99.7% bacteria.

Operations

- Assemble**
Please put all parts in the right places according to the illustration;
- Power on**
Connect the Micro USB cable to the power input port at the bottom, then connect A/C adapter to the wall outlet.
- Fill up**
Pour water into the bucket. Do not exceed the max water level.
- Clean up**
Lift the bucket and clean the inside of the bucket.
- Accessories replacing**
It is recommended to replace the filter and foam regularly.
- Connect the fountain**
Download the Petoneer App and connect the fountain to your Wi-Fi to monitor and control.

Quick Setup

- Scan the QR code on the right and download the Petoneer App which is available on App Store and Google Play . Click Sign up to get walked through to create your Petoneer account.
 - Power on and ensure the Wi-Fi Indicator LED is blinking fast reflecting the device is ready for joining the Wi-Fi. Open the Petoneer App and click the '+' button and get walked through the SET-UP steps.
- Notice:**
- The fountain doesn't support the 5GHz Wi-Fi, please make sure your Wi-Fi is 2.4G.
 - If the Wi-Fi indicator is not blinking fast after power-on, please long press and hold the reset button until the indicator blinks quickly.

LED Status

LED Status		Specification	
Blue	Water Level	Model: WF002 Weight: 43.03 oz (1220 g)	Size: 8.19*7.80*7.13 Inches (208x198x181mm)
Red	Filter Change Alert	Power Input: DC 5V 2A Communication: Wi-Fi	Capacity: 2L Range: 98.5 feet (30m)
		Sterilization Rate: 99.7%	UVC Tube Life: 15000 Hours

Precautions

- Please use it in the indoor environment;
- When cleaning the bucket, do not directly wash the bottom of the bucket or soak it in the water; when cleaning the whole machine, DO DISCONNECT the power supply;
- Children must use the unit under the guidance of an adult;
- Please place the unit on the flat ground to prevent accidental overturning, causing the fountain to sprinkle or not work correctly.
- Please shield or organize the power cord well to prevent the pet from biting the cable and causing dangerous situations such as electric shock;
- This fountain is suitable for cats or small and medium-size dogs;
- TDS(Total dissolved solids): The content of dissolved solids in water. The lower the TDS value, the higher the purity of the water. TDS is used as an indicator to determine the general quality of the water. The water quality criteria and standards vary a lot depending on different countries and regions. Please refer to the local standards.
- As UVC ultraviolet light can't penetrate plastic or clothing, and the visible light source that is exposed by UV tube does not inflict harm.
- After long time usage, the yellowing insider the fountain is normal!

EN

EN EN

FCC NOTE:

This device complies with part 15 of the FCC Rules. Operation is subject to the following two conditions: (1) This device may not cause harmful interference, and (2) this device must accept any interference received, including interference that may cause undesired operation.

Note: The Grantee is not responsible for any changes or modifications not expressly approved by the party responsible for compliance. Such modifications could void the user's authority to operate the equipment.

Note: This equipment has been tested and found to comply with the limits for a Class B digital device, pursuant to part 15 of the FCC Rules. These limits are designed to provide reasonable protection against harmful interference in a residential installation. This equipment generates, uses and can radiate radio frequency energy and, if not installed and used in accordance with the instructions, may cause harmful interference to radio communications.

However, there is no guarantee that interference will not occur in a particular installation. If this equipment does cause harmful interference to radio or television reception, which can be determined by turning the equipment off and on, the user is encouraged to try to correct the interference by one or more of the following measures:

- Reorient or relocate the receiving antenna.
- Increase the separation between the equipment and receiver.
- Connect the equipment into an outlet on a circuit different from that to which the receiver is connected.
- Consult the dealer or an experienced radio/TV technician for help.

Environmental Conditions

Operating Temperature: 14 °F to 131 °F, (-10 °C to 55 °C) (indoor only)

SkyRC Technology Co., Ltd. declares that this Fresco Ultra(WF002), is in compliance with the essential requirements and other relevant provisions of the Radio Equipment Directive (2014/53/EU).

Environment friendly disposal

You can help protect the environment!
Please remember to respect your local regulations: dispose of nonfunctional electrical equipment with an appropriate waste disposal center.

Read all the instructions

When using electrical appliances, basic safety precautions should always be followed, including the following:

- Do not touch hot surfaces. Use handles.
- To protect against electric shock do not immerse cord, plug into water or other liquid.
- Close supervision is necessary when any appliance is used by or near children.
- Unplug from outlet when not in use and before cleaning. Allow cooling before putting on or taking off parts, and before cleaning the appliance.
- Do not operate any appliance with a damaged cord or plug, should the appliance malfunction, or if it has been damaged in any manner. Return appliance to the nearest authorized service facility for examination, repair or adjustment.
- The use of the accessory attachments is not recommended by the appliance manufacturer as it may cause injuries.
- Do not use outdoors.
- Do not let the cord hang over the edge of table or counter, or touch hot surfaces.
- Do not place on or near a hot gas or electric burner, or in a heated oven.

- Always attach the plug to appliance first, then plug the cord in the wall outlet.
- Do not use the appliance for other than intended use.
- WARNING: Never leave the appliance unattended whilst in use.
- Warning: keep the supply cord away from the heating tip and metal enclosure while using.
- This appliance is not intended for use by persons (including children) with reduced physical, sensory or mental capabilities, or lack of experience and knowledge unless they have been given supervision or instructions concerning the use of the appliance by a person responsible for their safety.
- Children should be supervised to ensure that they do not play with the appliance.
- If the SUPPLY CORD is damaged, it must be replaced by the manufacturer, its service agent or similarly qualified persons in order to avoid a hazard.
- WARNING: This tool must be placed on its stand when not in use.

SAVE THESE INSTRUCTIONS.

For the purposes of supply by Adapter, only use the detachable supply unit provided with this appliance:

Manufacturer: Dong Guan City GangQi Electronic CO., LTD
Model: GQ12-050200-ZG
Input: 100-240V, 50/60Hz, 0.4A Max
Output: 5.0V \pm 2.0A, 10.0W



Manufacturer: SkyRC Technology Co., Ltd.
4, 5, 8 Floor, Building 4, Meitai Science Park, Guanguang Road, Guanlan, Longhua District, Shenzhen, China.

Warranty Terms

Within the period of warranty, if the product fails with no fault of user operations, it will be repaired at Petoneer's expense. The warranty will not cover product failure in examples below:

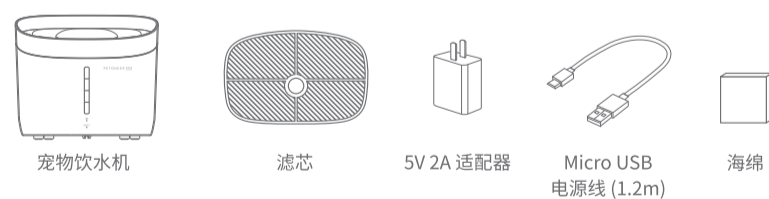
- Intentional damage to the product by the user or third party.
- Failure to operate or maintain the product following the (QIG) Quick Installation Guide Instructions.
- Failure by natural wear and tear including but not limited to scratching, corrosion, oxidation and rusting.
- Failure by non-authorized repair of the product including but not limited to user's own or third-party repairing attempts or modifications.

* All Pictures shown in the manual are for illustration purpose only.
Actual product may vary due to product enhancement.

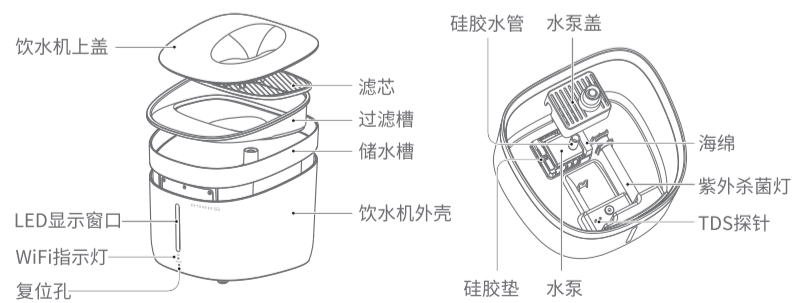
EN EN

EN EN

包装清单



产品概览



饮水机灭菌原理:
饮水机水槽底部的紫外线灯管发出的 UVC 紫外线光波可以破坏细菌等微生物的 DNA 结构, 使细菌死亡, 定时间隔工作3分钟, 杀菌率高达99.7%。

使用操作

- 组装**
请参考产品详情图, 将所有组件放至对应位置即可。
- 连接电源**
将USB线插入底部接口, 连接电源。
- 加水**
将水倒入储水槽中, 水量请不要超过MAX水位线。
- 清洗**
提出储水槽, 清洗水槽内部。
- 更换耗材**
建议定期更换滤芯、海绵。
- 添加设备**
下载“Petoneer”APP, 添加设备, 实时监控水机状态。

快速添加设备

- 扫描右侧二维码, 按照提示下载安装“Petoneer”APP, 并注册登陆账号。
- 通电后, Wi-Fi指示灯快闪, 进入配置模式
请打开“Petoneer”APP, 点击“+”按照提示进行设置。

注意: (1) 饮水机不支持5GHz路由器, 请使用2.4GHz路由器
(2) 若通电开机后Wi-Fi指示灯不在快闪状态, 请按按键, 直至指示灯快闪

指示灯

指示灯	描述
蓝色	水位显示
红色	滤芯替换提醒

基本参数

产品型号: WF002
产品尺寸: 208x198x181mm
产品净重: 1220g
输入电源: DC 5V 2A
紫外灯管寿命: 约15000小时
储水容量: 2L
通信方式: Wi-Fi
通信距离: 30m
紫外杀菌率: 99.7%

注意事项

- 请在室内环境使用。
- 进行储水槽清理工作时, 请勿直接冲洗水槽底部或泡入水中; 进行整机清洁工作时, 请断开电源。
- 儿童需在成人指导下使用。
- 请放置在水平地面上, 以防不慎打翻, 导致设备洒水或不正常工作。
- 请做好电源线遮挡或收纳, 以防宠物撕咬电线, 造成触电等危险状况。
- 本机适用于猫或中小型犬。
- TDS数值代表水质纯度高低 (TDS仅为水质评判指标之一, 各国家及地区水质要求标准不同, 请具体结合本国标准评判)。
- UVC紫外光波无法穿透塑料或衣物, 紫外灯工作时透出的可视光源无任何紫外伤害。
- 经紫外线长期照射, 水机内部发黄属正常现象。

保修条款

在保修期限内, 对于正常使用Petoneer产品过程中, 由于非人为导致的损坏, 所产生的维修费用和相关的人工费用, 由Petoneer承担。以下情况导致的维修不在保修条款包含中。

- 故意行为导致的损坏。
- 未按照产品使用说明书指引使用、保养该产品。
- 设备正常磨损、腐蚀、氧化、锈垢、损耗等原因导致的损失。
- 因在非Petoneer授权维修代理店或用户自身进行维修、改造、清洗而造成的损坏。

(为了提供更好的产品, 我们会定期进行产品改良。产品实物可能与说明书有差异。)

www.petoneer.com

中文 中文

中文