



**PETONEER**  
湃妮

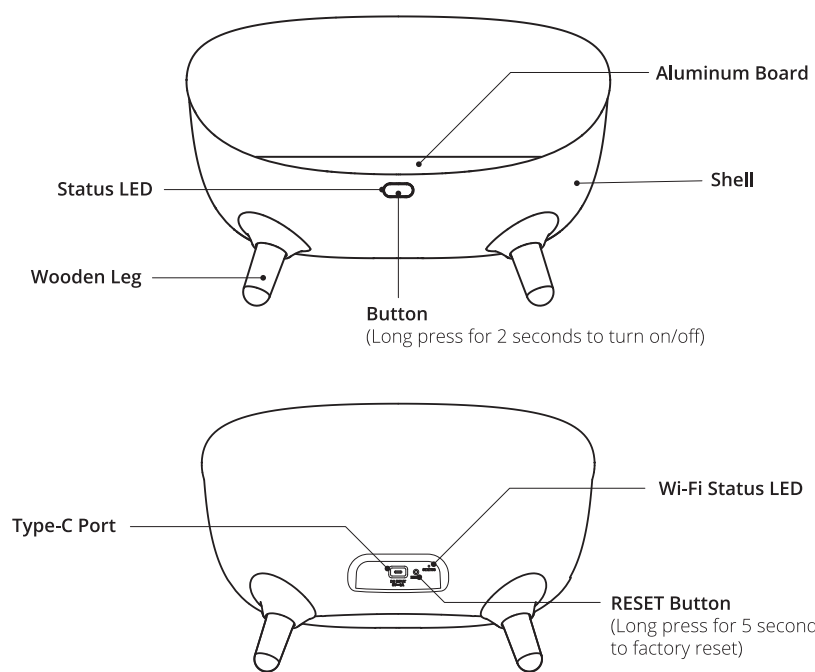
**Petoneer Cozy Sofa**  
User Manual

**湃妮冷暖沙发**  
使用说明

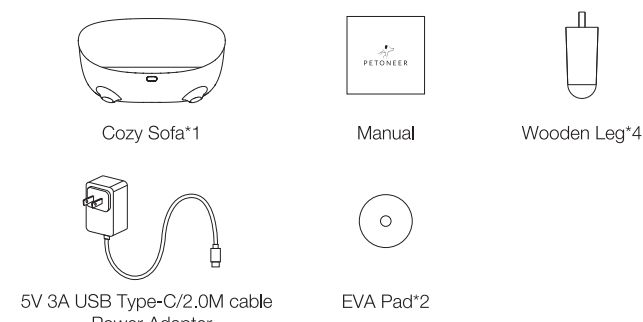
Model / 型号: PH001

Please read this manual carefully before using.  
Keep the manual in a safe place for future reference.  
使用前请仔细阅读本使用说明,并妥善保管

01 / Meet your Cozy Sofa



Inside the box



02 / Specification

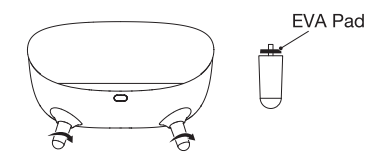
Model: PH001  
Power Input: DC 5V  $\pm$  3A  
Communication: Wi-Fi(2.4G)  
Suitable Pets: Cats and Small Size Dogs

Size: 434x431x296mm  
(17x16.9x11.6in)  
Net Weight: about 3.1KG  
Material: PP

03 / Operations

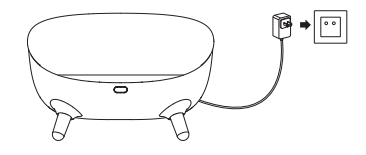
① Assembly

Take out the sofa, tighten the wooden legs clockwise one by one.  
**Note:** As foot length discrepancy may occur, EVA pads can be added to adjust and make the feet even.



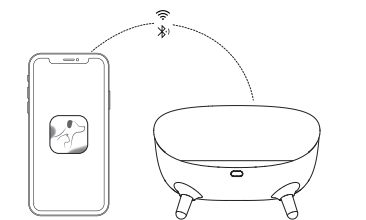
② Power

Plug the power cord into the input port at the back, and then turn on the power.  
The status LED flashes red, blue and green alternately to enter the automatic working mode.



③ App Set-up

Join the sofa to your local Wi-Fi to monitor and control.  
Download the Petoneer app, and add the sofa to the app as prompted.



04 / Quick Setup

- Scan the QR code on the right and download the Petoneer App which is available on App Store and Google Play. Click Sign up to get walked through to create your Petoneer account.
- Power on and ensure the Wi-Fi Indicator LED is blinking fast reflecting the device is ready for joining the Wi-Fi.  
Open the Petoneer App and click the "+" button and get walked through the SET-UP steps.



05 / Wi-Fi LED / Buttons Explained

On / Off Button	Long press for 2 seconds	Turn on/off
RESET Button	Long press for 5seconds	Factory Reset
Wi-Fi LED	Fast blinking Blue	Ready to set up
	Solid Blue	Connected
	Off	Disconnected
Status LED	Pulsing Blue	Manual Cooling
	Pulsing Red	Manual Heating
	Pulsing Green	Auto Mode Working
	Steady Green	Done
	Flash alternately in RED/BLUE	Error
	Flash alternately in RED/BLUE/GREEN	Power-On Self-Test

06 / Precautions

- Make sure to use this unit on level ground.
- Never use this sofa for less than three months' young pets
- For first-time use, you can place some catnip or snacks on the sofa bed to help the cat relax and familiarize with new products.
- Do not use this unit as the only heating source for baby pets.
- For daily use of the sofa, please clean it regularly with a dry cloth.
- Never soak this product in water.
- Do not place it in direct sunlight or places at high temperature for a long time to prevent deformation and fading.
- Make sure to keep the ventilation opening unobstructed during use.
- Children have to use it under the supervision and guidance of adults.
- Please hide or organize the power cord to prevent pets from biting.
- Condensation may occur during heating or cooling due to the temperature drop. It is a normal phenomenon, and please wipe condensed drops in time.
- The cooling temperature can be up to 9 degrees, whereas the heating temperature can be up to 12 degrees. The heating and cooling is always related to the indoor ambient temperature.
- It is recommended for pets within 15KG.

All Pictures shown in the manual are for illustration purpose only.  
Actual product may vary due to product enhancement.

07 / Warranty Terms

Within the period of warranty, if the product fails with no fault of user operations, it will be repaired at Petoneer's expense. The warranty will not cover product failure in examples below:

- Intentional damage to the product by the user or third party.
- Failure to operate or maintain the product following the (CIG) Quick Installation Guide Instructions.
- Failure by natural wear and tear including but not limited to scratching, corrosion, oxidation and rusting.
- Failure by non-authorized repair of the product including but not limited to user's own or third-party repairing attempts or modifications.

(All Pictures shown in the manual are for illustration purpose only. Actual product may vary due to product enhancement.)

**Note:** This product and after-sales service are only available in China (excluding Hong Kong, Macau, and Taiwan). This warranty is only applicable to China (excluding Hong Kong, Macau and Taiwan).

FCC Note:

This device complies with part 15 of the FCC Rules. Operation is subject to the following two conditions: (1) This device may not cause harmful interference, and (2) this device must accept any interference received, including interference that may cause undesired operation.

**Note:** The Grantee is not responsible for any changes or modifications not expressly approved by the party responsible for compliance, such modifications could void the user's authority to operate the equipment.  
**Note:** This equipment has been tested and found to comply with the limits for a Class B digital device, pursuant to part 15 of the FCC Rules. These limits are designed to provide reasonable protection against harmful interference in a residential installation. This equipment generates, uses and can radiate radio frequency energy and, if not installed and used in accordance with the instructions, may cause harmful interference to radio communications. However, there is no guarantee that interference will not occur in a particular installation. If this equipment does cause harmful interference to radio or television reception, which can be determined by turning the equipment off and on, the user is encouraged to try to correct the interference by one or more of the following measures:

- Reorient or relocate the receiving antenna.
- Increase the separation between the equipment and receiver.
- Connect the equipment into an outlet on a circuit different from that to which the receiver is connected.
- Consult the dealer or an experienced radio/TV technician for help.

This device complies with Part 15 of the FCC Rules. Operation is subject to the following two conditions:

- this device may not cause harmful interference, and
- this device must accept any interference received, including interference that may cause undesired operation.

**Warning:** Changes or modifications not expressly approved by the party responsible for compliance could void the user's authority to operate the product.

FCC Radiation Exposure Statement:

The equipment complies with FCC Radiation exposure limits set forth for uncontrolled environment. This equipment should be installed and operated with minimum distance 20cm between the radiator and your body.

Environmental Conditions

Operating Temperature: 32 °F to 104 °F, (0 °C to 40 °C) (indoor only)  
SkyRC Technology Co., Ltd. declares that this Cozy Sofa(PH001), is in compliance with the essential requirements and other relevant provisions of the Radio Equipment Directive (2014/53/EU).

Environment friendly disposal

You can help protect the environment!  
Please remember to respect your local regulations: dispose of nonfunctional electrical equipment with an appropriate waste disposal center.

Manufacturer: SkyRC Technology Co., Ltd.

4, 5, 8 Floor, Building 4, Meitai Science Park, Guangang Road, Guanlan, Longhua District, Shenzhen, China.

Read all the instructions

- When using electrical appliances, basic safety precautions should always be followed, including the following:
- Do not touch hot surfaces. Use handles.
  - To protect against electric shock do not immerse cord, plug into water or other liquid.
  - Close supervision is necessary when any appliance is used by or near children.
  - Unplug from outlet when not in use and before cleaning. Allow to cool before putting on or taking off parts, and before cleaning the appliance.
  - Do not operate any appliance with a damaged cord or plug, should the appliance malfunction, or if it has been damaged in any manner. Return appliance to the nearest authorized service facility for examination, repair or adjustment.
  - The use of the accessory attachments is not recommended by the appliance manufacturer as it may cause injuries.

7. Do not use outdoors.

- Do not let the cord hang over edge of table or counter, or touch hot surfaces.
- Do not place on or near a hot gas or electric burner, or in a heated oven.
- Always attach plug to appliance first, then plug cord in the wall outlet.
- Do not use the appliance for other than intended use.
- WARNING:** Never leave the appliance unattended whilst in use.
- WARNING:** Keep the supply cord away from heating tip and metal enclosure when using.
- This appliance is not intended for use by persons (including children) with reduced physical, sensory or mental capabilities, or lack of experience and knowledge, unless they have been given supervision or instructions concerning use of the appliance by a person responsible for their safety.
- Children should be supervised to ensure that they do not play with the appliance.
- If the SUPPLY CORD is damaged, it must be replaced by the manufacturer, its service agent or similarly qualified persons in order to avoid a hazard.
- WARNING:** This tool must be placed on its stand when not in use.

SAVE THESE INSTRUCTIONS.

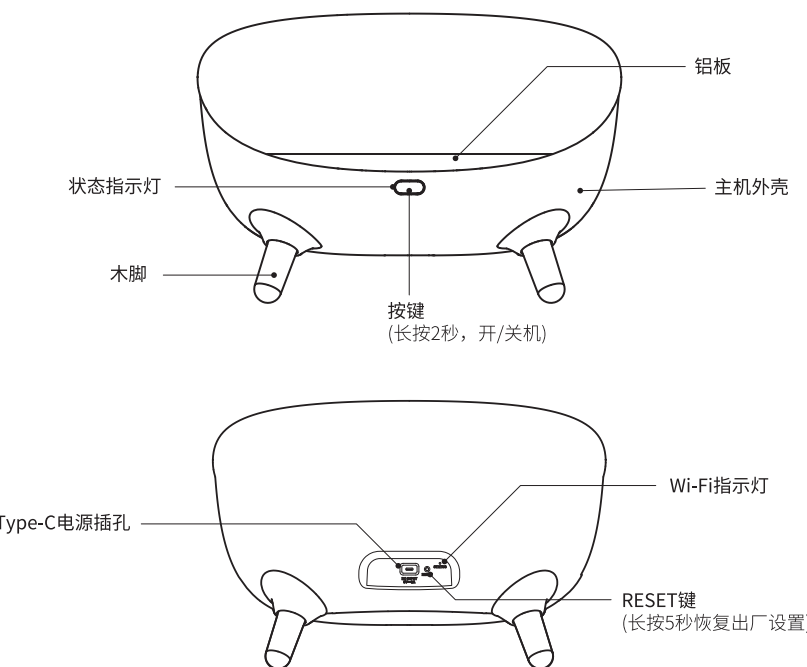
For the purposes of supply by Adapter, only use the detachable supply unit provided with this appliance:

Manufacturer: Shenzhen Keyu Power Supply Technology Co., Ltd.  
Model: KA1801A-DS03002EU  
Input: 100-240V-50/60HZ, 0.55A Max  
Output: 5.0V  $\pm$  3.0A 15.0W

Manufacturer: SkyRC Technology Co., Ltd.

Address: Floors 4, 5, & 8, Building 4, Meitai Technology Park, Guangang South Road, Guanlan, Longhua District, Shenzhen, China

01 / 产品概览



包装清单



02 / 基本参数

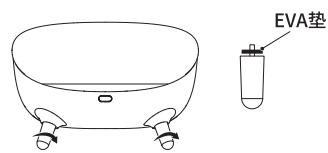
产品型号: PH001  
CMIT ID: 20190P11626  
输入电源: DC 5V  $\pm$  3A  
通讯方式: Wi-Fi(2.4GHz)  
适用对象: 猫及小型犬

产品尺寸: 434x431x296mm  
产品净重: 约3.1KG  
产品材质: PP  
执行标准: Q/TK 008-2019  
保质期: 1年

03 / 使用操作

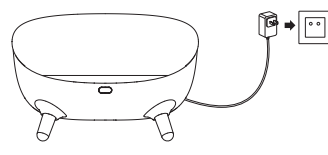
① 组装

取出沙发, 将木脚逐一按顺时针方向拧紧安装好。  
**注意:** 木脚长度如略有差异, 可加装EVA垫, 使其平稳。



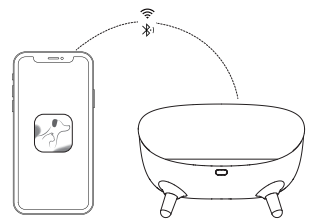
② 连接电源

将电源线插入沙发背后的电源线接口, 再接通电源。  
指示灯在蓝绿交替闪烁一次, 沙发床进入自动工作模式。



③ 添加设备

添加设备, 实时查看沙发状态。  
下载 "Petoneer" APP, 添加设备。



04 / 快速添加设备

- 扫描右侧二维码, 或前往 "GooglePlay" "AppStore" 下载安装 "Petoneer" APP, 并注册登录账号。
- 通电后, Wi-Fi指示灯蓝灯慢闪, 进入配置模式  
请打开 "Petoneer" APP, 点击 "+" 按照提示进行设置。



05 / 按键、指示灯定义

按键	长按2秒	开/关机
RESET键	长按5秒	恢复出厂设置
Wi-Fi指示灯	蓝灯快闪	Wi-Fi模块处于待加网状态
	蓝灯常亮	设备成功连入路由器
	蓝灯灭	设备与路由器断开时
状态指示灯	蓝灯呼吸闪烁	手动制冷中
	红灯呼吸闪烁	手动制热中
	绿灯呼吸闪烁	自动模式中
	绿色常亮	达到设置温度
	红、蓝灯交替闪烁	设备故障
	红、蓝、绿灯交替闪烁一次	开机自检

06 / 注意事项

- 请务必将产品放置在水平地面使用。
- 三个月内幼宠禁止使用此设备。
- 首次使用, 可以放置一些猫薄荷或零食于沙发上, 帮助猫咪放松并熟悉新用品。
- 不得将此设备作为幼宠的唯一供暖源。
- 沙发日常使用请定期用干抹布进行清理。
- 本产品禁止浸水或泡水。
- 不要长期放在阳光直射或高温的地方, 防止变形褪色等。
- 在使用过程中请务必保持通风口畅通, 不得遮挡。
- 儿童需在成人监督指导下使用。
- 请做好电源线遮挡或收纳, 以防宠物撕咬电线。
- 冷暖沙发在使用过程中由于温度下降明显, 可能会出现冷凝水, 属于正常现象; 请出现冷凝水后及时擦拭处理。
- 制冷温度最高可达9度, 制热温度最高可达12度, 半导体制冷制热与室内环境温度相关。
- 建议15KG以内的宠物使用。

07 / 保修条款

在保修期限内, 对于正常使用Petoneer产品过程中, 由于非人为导致的损坏, 所产生的维修费用和人工费用, 由Petoneer承担。以下情况导致的维修不在保修条款包含中。

- 故意行为导致的损坏。
- 未按产品使用说明书指引使用、保养该产品。
- 设备正常磨损、腐蚀、氧化、锈蚀、耗损等原因导致的损失。
- 因在非Petoneer授权维修店或用户自身进行维修、改造、清洗而造成的损坏。

(为了更好的产品, 我们会定期进行产品改良。产品实物可能与说明书有差异。)

服务热线: 400-808-5869  
服务网址: www.petoneer.com  
制造商: 太空创新科技(深圳)有限公司  
制造地址: 深圳市龙华区观澜街道桂花社区观光路美泰工业园4栋4, 5, 8层